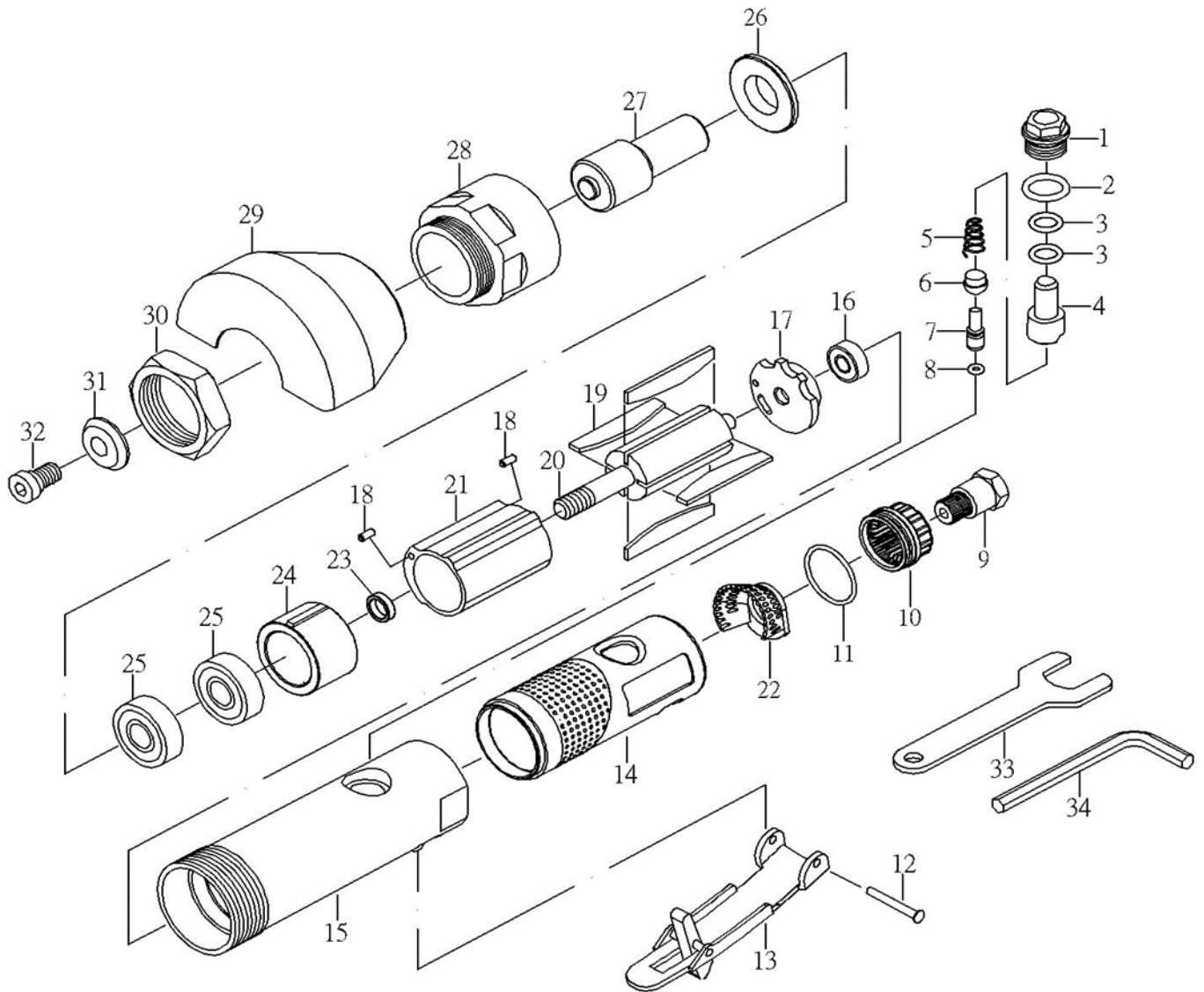


APP708 - Cut off tool



Ref	PCL Part No	Description	Qty
01	APS708/01	Screw	1
02	APS708/02	O-ring (P12)	1
03	APS708/03	O-ring (P8)	2
04	APS708/04	Air regulator	1
05	APS708/05	Spring	1
06	APS708/06	Valve stem bushing	1
07	APS708/07	Valve stem	1
08	APS708/08	O-ring (3.5x1.4)	1
09	APS708/09	Air inlet (18)	1
10	APS708/10	Exhaust sleeve	1
11	APS708/11	O-ring (26.7x1.78)	1
12	APS708/12	Spring pin	1
13	APS708/13	Lever	1
14	APS708/14	Protecting rubber	1
15	APS708/15	Housing	1
16	APS708/16	Bearing (696ZZ)	1
17	APS708/17	Rear plate	1

Ref	PCL Part No	Description	Qty
18	APS708/18	Pin (2.5x6)	2
19	APS708/RBS	Rotor blades	4
20	APS708/20	Rotor	1
21	APS708/21	Cylinder	1
22	APS708/22	Cone muffler	1
23	APS708/23	Bearing spacer	1
24	APS708/24	Front plate	1
25	APS708/25	Bearing (608ZZ)	2
26	APS708/26	Washer	1
27	APS708/27	Disc retainer	1
28	APS708/28	Clamp nut	1
29	APS708/29	Guard	1
30	APS708/30	Nut	1
31	APS708/31	Washer	1
32	APS708/32	Screw (M6x12)	1
33	APS708/33	Stop spanner (14 m/m)	1
34	APS708/34	Hex (5 m/m)	1