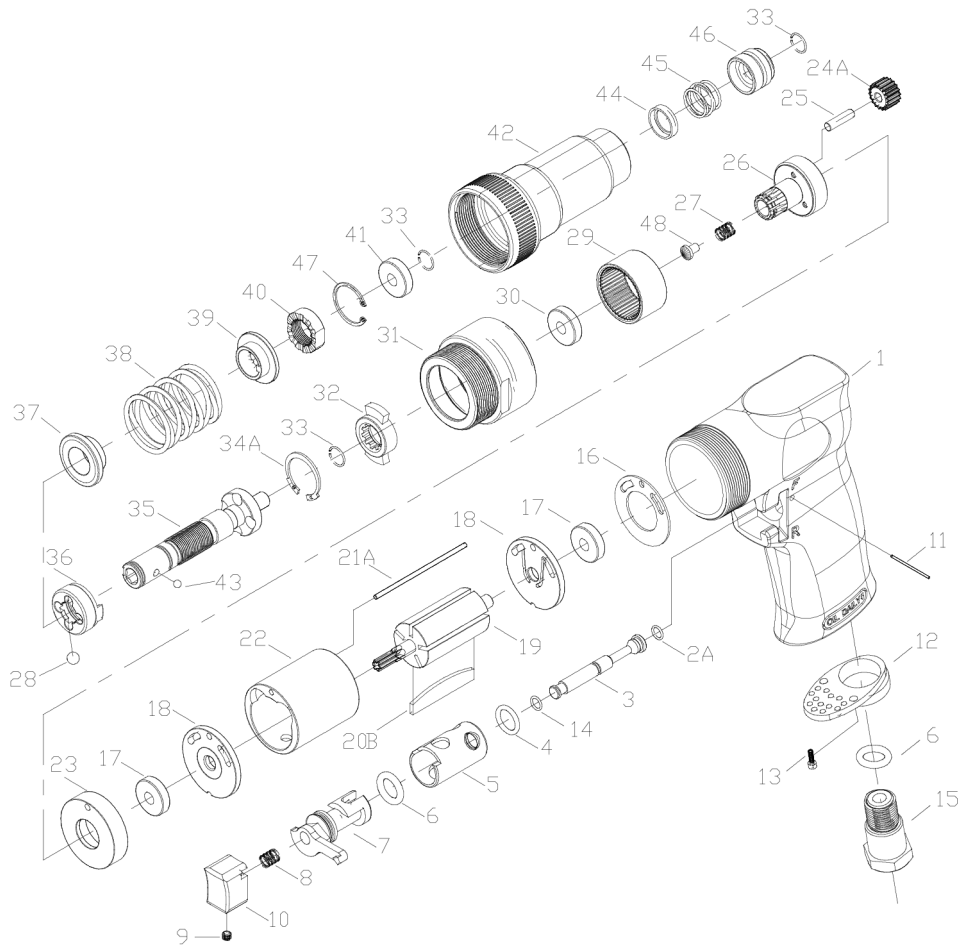


APT407 - Screwdriver



Ref	PCL Part No	Description	Qty
1	APS407/1	Housing	1
2A	APS407/2A	O-ring	1
3	APS407/3	Valve stem	1
4	APS407/4	O-ring	1
5	APS407/5	Reverse bushing	1
6	APS407/6	O-ring	2
7	APS407/7	Reverse valve	1
8	APS407/8	Valve spring	1
9	APS407/9	Set screw	1
10	APS407/10	Set screw trigger	1
11	APS407/11	Spring pin	1
12	APS407/12	Exhaust diffuser	1
13	APS407/13	Screw	2
14	APS407/14	O-Ring	1
15	APS407/15	Air inlet	1
16	APS407/16	Motor gasket	1
17	APS407/17	Ball bearing	2
18	APS407/18	End plate	2
19	APS407/19	Rotor	1
20B	APS407/20B	Rotor blades	5
21A	APS407/21A	Pin	1
22	APS407/22	Cylinder	1
23	APS407/23	Front bearing plate	1
24A	APS407/24A	Idler gear	3

Ref	PCL Part No	Description	Qty
25	APS407/25	Idler gear pin	3
26	APS407/26	Idler gear plate	1
27	APS407/27	Spring	1
28	APS407/28	Steel ball	4
29	APS407/29	Thread ring gear	1
30	APS407/30	Ball bearing	1
31	APS407/31	Clamp nut	1
32	APS407/32	Drive cam	1
33	APS407/33	Thrust ring lock	3
34A	APS407/34A	Retainer spring	1
35	APS407/35	Anvil	1
36	APS407/36	Clutch carrier	1
37	APS407/37	Clutch washer	1
38	APS407/38	Clutch spring (green)	1
39	APS407/39	Clutch upper washer	1
40	APS407/40	Adjust ring	1
41	APS407/41	Ball bearing	1
42	APS407/42	Clutch case assembly	1
43	APS407/43	Locating steel ball	1
44	APS407/44	Thrust ring	1
45	APS407/45	Retaining sleeve spring	1
46	APS407/46	Retaining sleeve	1
47	APS407/47	Retaining ring	1
48	APS407/48	Top pin	1