

DRIVEN BY AIR.



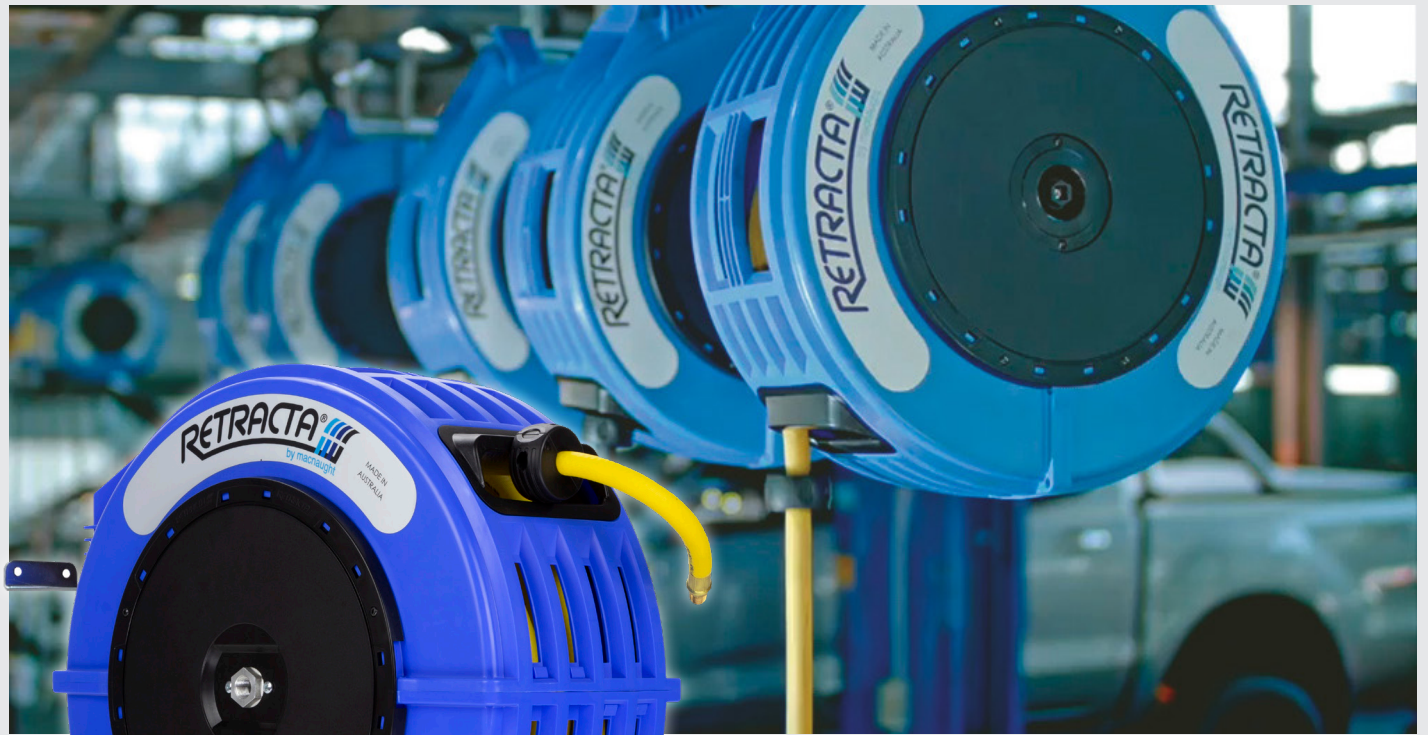
10
YEARS
EXTENDED
WARRANTY

Retracta Spring Rewind Hose Reels

The benchmark in industrial strength
retractable hose reels.

A HORNGROUP BRAND

www.pclairtechnology.com



RETRACTA SPRING REWIND HOSE REELS

Why choose the Retractable Hose Reel?



Over the decades the original Retractable poly reel has built an enviable reputation worldwide for performance and reliability. Through this, and with a long history of innovation and design, Macnaught has now developed an exciting range of Retractable reels specifically designed and engineered for the most demanding industrial applications and environments.

In the toughest environments across the world, the original Retractable polypropylene reel has built an enviable reputation for dependability.

Engineered to create an even higher industry benchmark, the Retractable R3 has created new levels of efficiency and dependability into a new era.

At the heart of this innovation is the patented RACR 'Retractable Adjustable Control Return' system, which can be retro fitted to any R3 Retractable.

This world first control return system offers true control by allowing the user to set the speed of return to suit their individual requirements.

The RACR system is fully serviceable and carries the same 10 year warranty and parts guarantee found with the entire Retractable family.



Features & Benefits

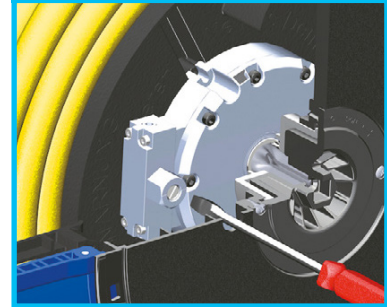
Yellow high visibility hose for extra safety



Steel wall mounting 180° swivel bracket

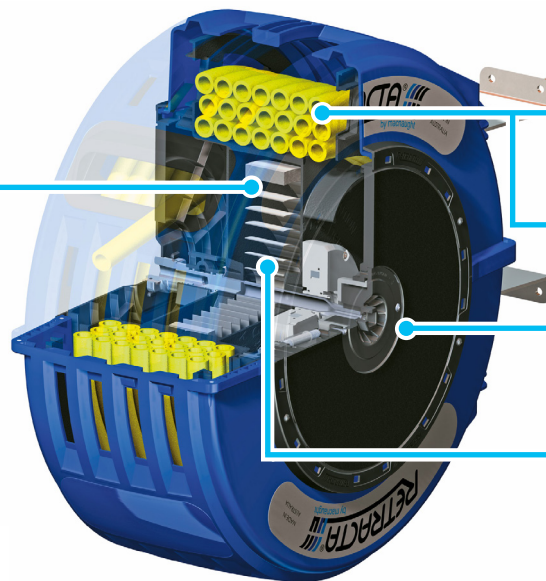


Optimise safety with RACR® adjustable rewind speeds



Overrun protection on spring prevents spring damage on drum overrun

High-wear resistant mouth design - Reduces friction between hose and reel mouth lessening wear and reducing fatigue



Increased internal capacity reduces hose build-up and allows longer hose lengths

Supplied with fitted hose for specified application

Safe tensioning mechanism

Upgraded main spring (internal) - Higher capacity allowing more turns, increased service life

Tough, corrosion free polypropylene construction



Hose reel specification

Part No.	Hose Length	Hose I.D	Inlet
HRA3V02	20 m	10 mm / 3/8"	3/8"
HRA3V03	15 m	12.5 mm / 1/2"	1/2"

Working pressure: 250 psi / 17 bar
 Hose Material: Yellow PVC blend
 Case type: Polypropylene
 Dimensions: 510 x 230 x 480 mm
 Weight: 13 kg

RACR® Benefits

- Eliminate hose whip hazard
- Adjustable hose return speed
- Up to 85% speed reduction
- Essential safety for personnel and equipment

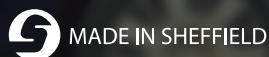
Part No. **Description**

HRA3SR Retracta Adjustable Control Return

ALSO AVAILABLE

Genuine PCL Couplings

- Built by hand
- 100% individually tested
- Manufactured with case hardened steel
- Corrosive and scratch-resistant finish



Compatible
adaptors also
available



AIRFLOW COUPLINGS



For fixed applications

VERTEX COUPLINGS



For trailing hose applications

SAFETY COUPLINGS



Eliminates hose whip

XF (EURO) COUPLINGS



For high flow rate applications

Explore the full range at www.pclairtechnology.com

All orders are subject to our standard terms and conditions - available on request. In line with our continuous improvement programme, we reserve the right to amend or revise the specification of our products without prior notice. Published October 2020. E. & O.E.

Pneumatic Components Limited
Holbrook Rise
Holbrook Industrial Estate
Sheffield S20 3GE

T +44 (0)114 248 2712
sales@pclairtechnology.com
www.pclairtechnology.com



A HORNGROUP BRAND